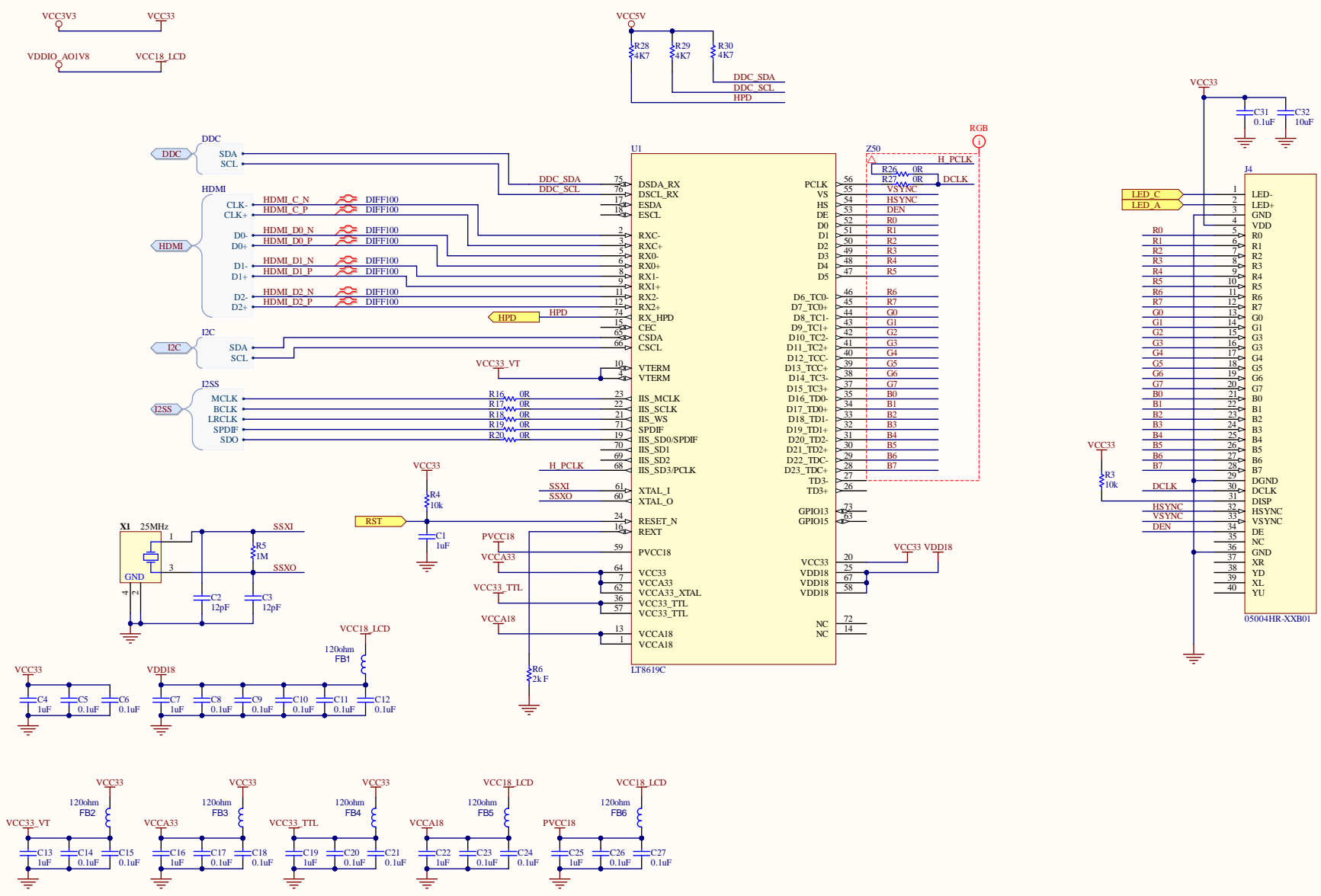


### Mounting Holes

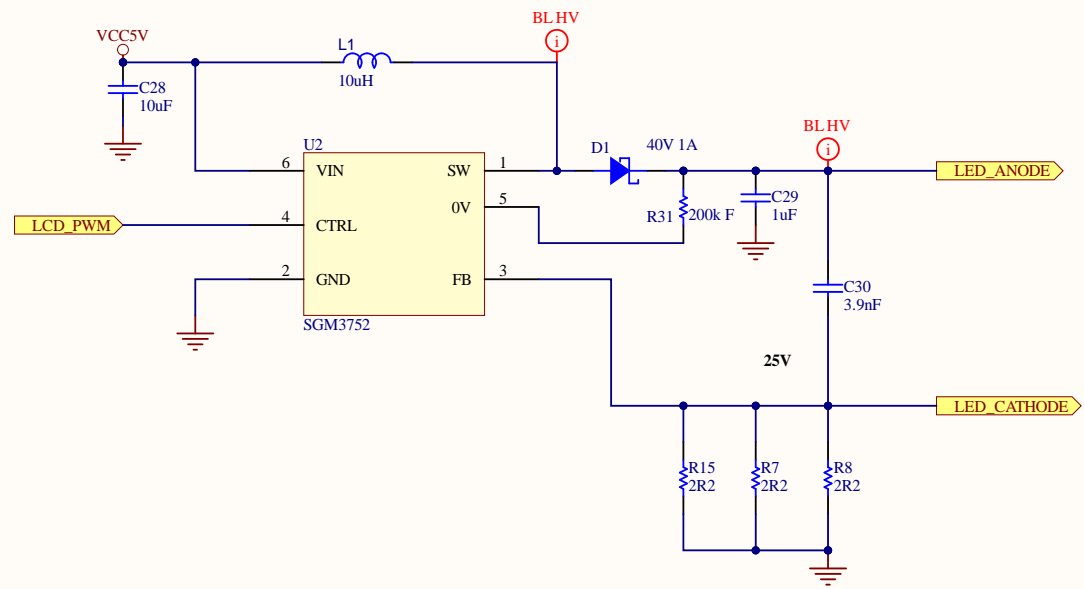


Title <b>Vu7C BLOCKS</b>			HardKernel Co.,LTD. 475-1 Manango Manangu, Anyang City Gyenggi-do South Korea		<b>ODROID</b>
Size: A4	Number: *	Revision: 1.0	Designed by: neal.kim@hardkernel.com		
Date: 2022-02-24	Time: 11:59:09 AM	Sheet 1 of 5			
File: Vu7C_MAIN_BLOCKS.SchDoc					

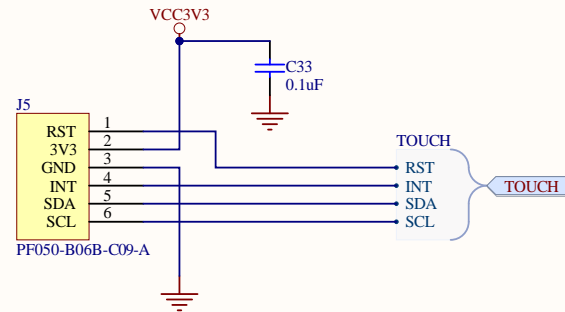
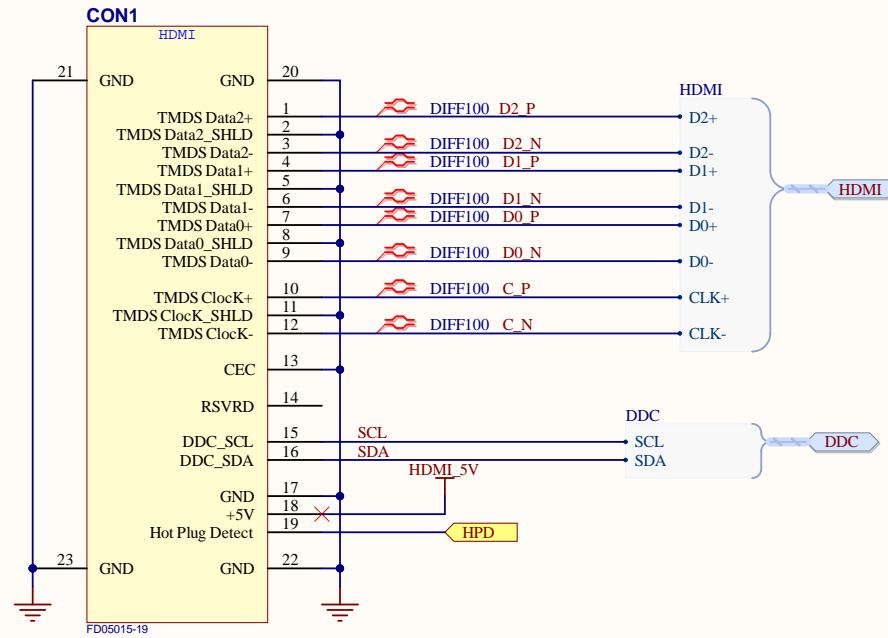


Title <b>HDMI to TTL RGB</b>			HardKernel Co., LTD. 473-1 Manamno Manangu, Anyang City Gyeongdo South Korea	
Size: A3	Number: *	Revision: 1.0	Designed by: neal.kim@hardkernel.com	
Date: 2022-02-24	Time: 11:59:10 AM	Sheet 2 of 5		
File: HDMI2TTLRGB_SchDoc				





Title <b>Backlight Driver</b>			Hardkernel Co.,LTD. 475-1 Mananro Manangu, Anyang City Gyeonggido South Korea		<b>ODROID</b>
Size: A4	Number: 23	Revision: 1.0	Designed by: neal.kim@hardkernel.com		
Date: 2022-02-24	Time: 11:59:10 AM	Sheet 3 of 5			
File: BACKLIGHT_SGM3752.SchDoc					



Title <b>CON_HDMI</b>			HardKernel Co.,LTD. 475-1 Mananro Manangu, Anyang City Gyengido South Korea		<b>ODROID</b>
Size: A4	Number: *	Revision: 1.0	Designed by: neal.kim@hardkernel.com		
Date: 2022-02-24	Time: 11:59:10 AM	Sheet 4 of 5			
File: CON_HDMI.SchDoc					

HW REVISION	DATE	Change Note
v1.0	2022.01.04	1. The first mess production.