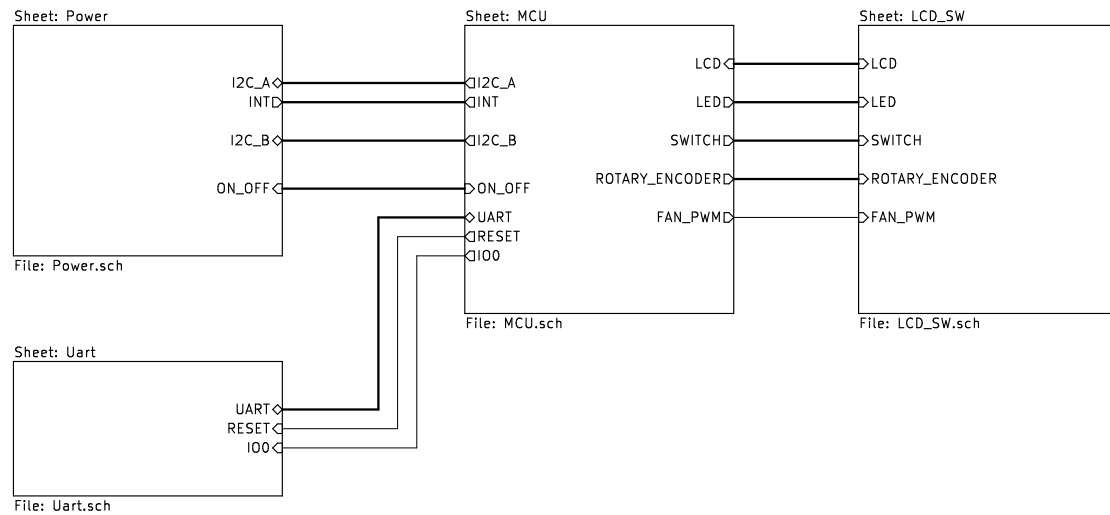


# Smart Power3 Schematic

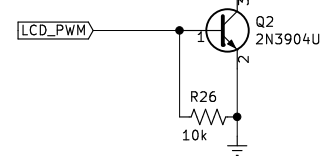
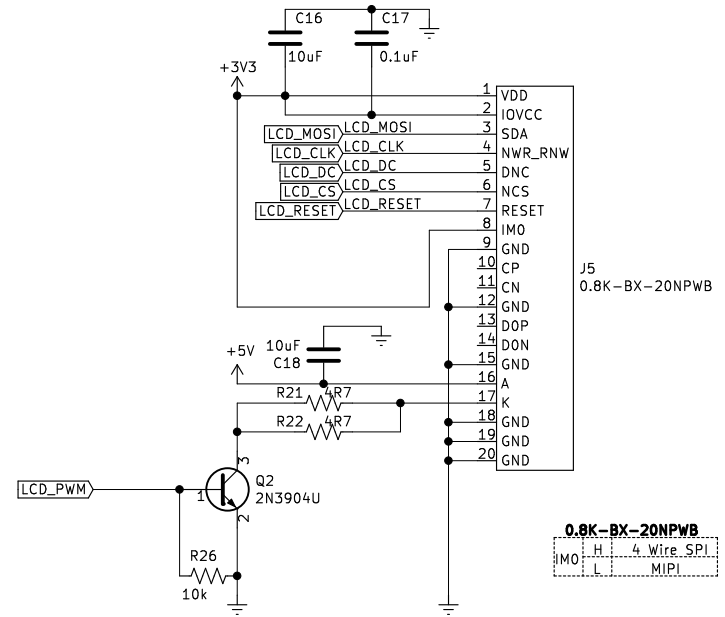
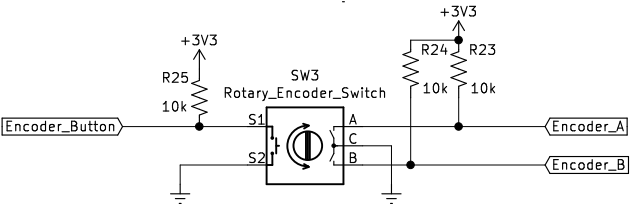
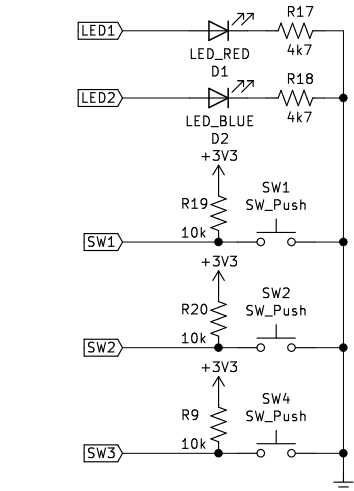
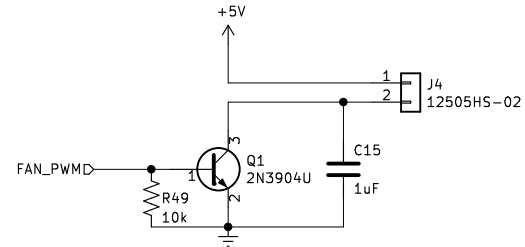
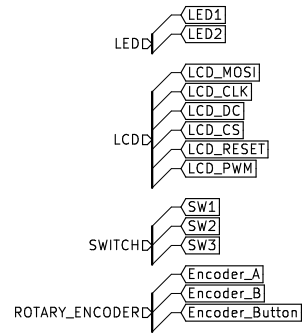


Sheet: /  
File: SmartPower3.sch

**Title:**

Size: A4 Date:  
KiCad E.D.A. kicad (5.1.5)-3

**Rev:**  
Id: 1/5

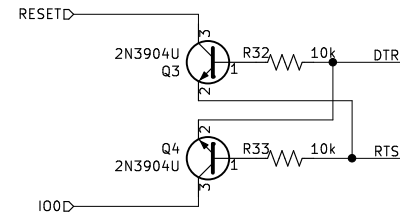
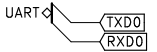
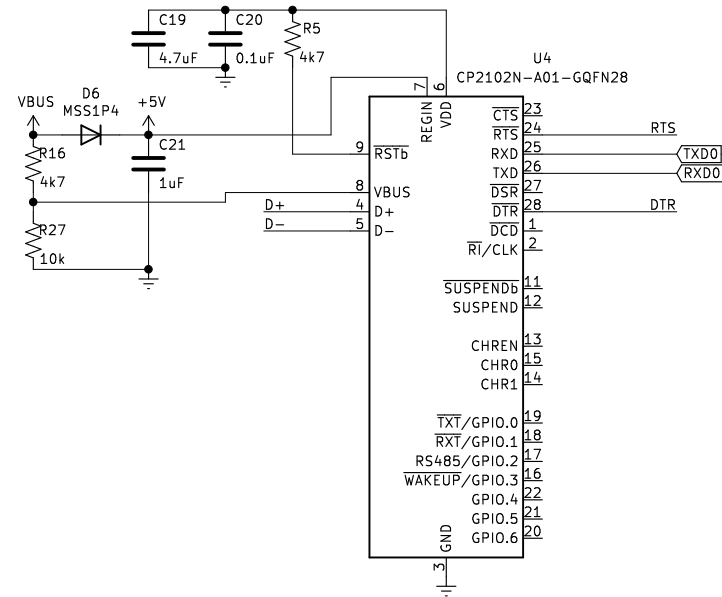
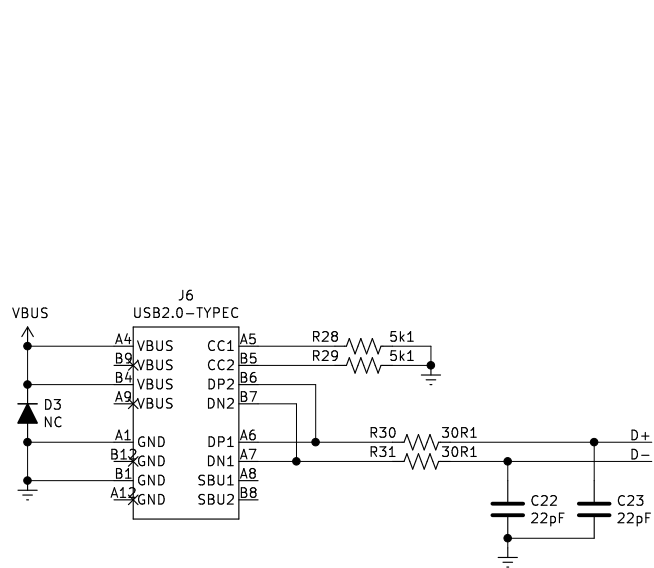


Sheet: /LCD\_SW/  
File: LCD\_SW.sch

**Title:**

Size: A4 Date:  
KiCad E.D.A. kicad (5.1.5)-3

**Rev:**  
Id: 2/5



Sheet: /Uart/  
 File: Uart.sch

**Title:**

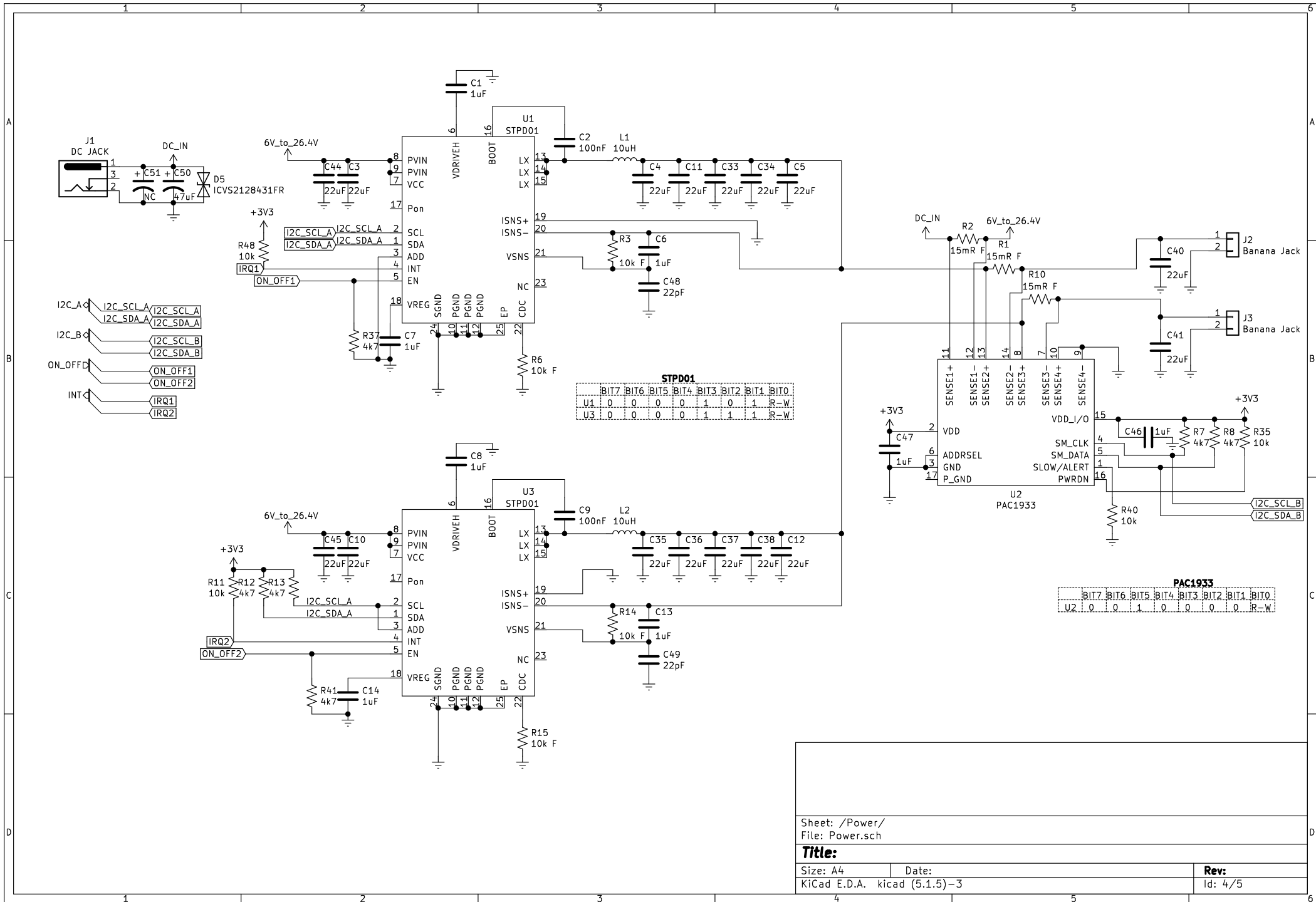
Size: A4

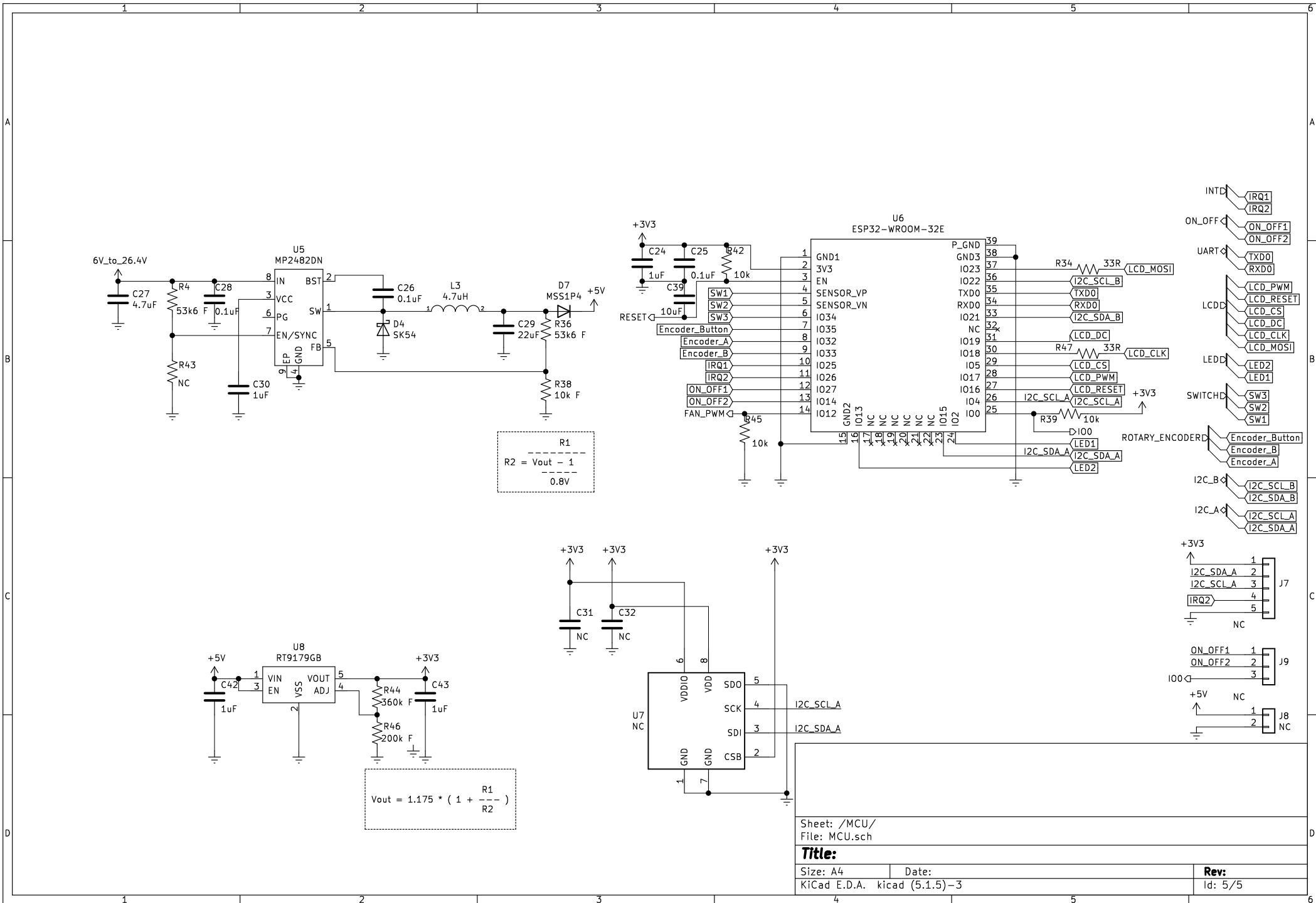
Date:

KiCad E.D.A. kicad (5.1.5)-3

**Rev:**

Id: 3/5





Sheet: /MCU/	
File: MCU.sch	
<b>Title:</b>	
Size: A4	Date:
KiCad E.D.A. kicad (5.1.5)-3	Rev:
	Id: 5/5