

Mounting Holes


- MH1

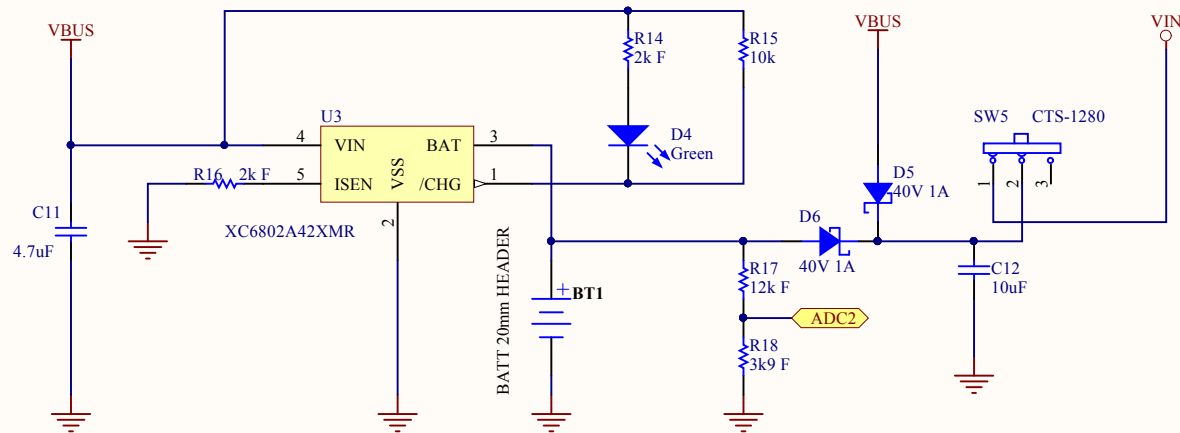
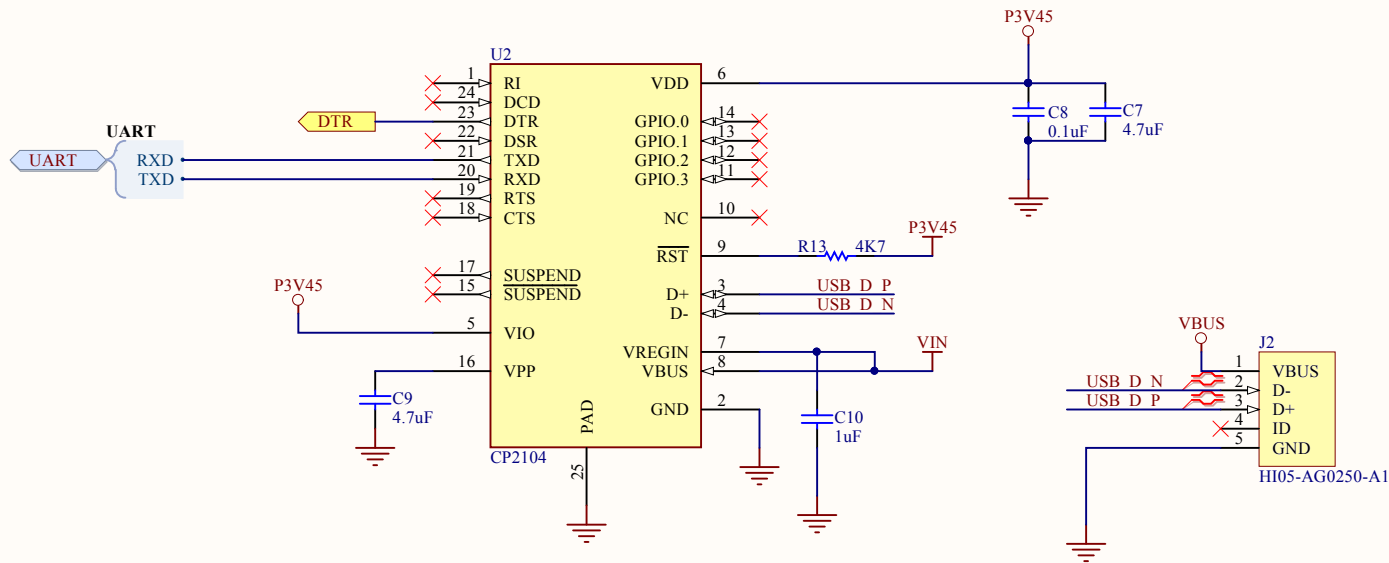
MOUNTING HOLE 3MM
- MH2

MOUNTING HOLE 3MM
- MH3

MOUNTING HOLE 3MM
- MH4

MOUNTING HOLE 3MM

Title ODROID_SHOW2_MAIN			R&D PART 704 Anyang K-center 1591-9	
Size: A4	Number: 1	Revision: 0.1	Burim Dongan Gu	
Date: 2014-12-02	Time: 오후 12:50:21	Sheet 1 of 3	Gyeongido	
File: E:\hw\hkl\etc\ODROID_SHOW2\ODROID_SHOW2_MAIN.SchDoc			South Korea	



Title USB_UART			R&D PART	ODROID
Size: A4	Number: 1	Revision: 0.1	704 Anyang K-center 1591-9	
Date: 2014-12-02	Time: 12:50:21	Sheet 3 of 3	Burim Dongan Gu	
File: E:\hw\hkl\etc\ODROID_SHOW2\USB_UART.SchDoc			Gyeonggido	
			South Korea	