

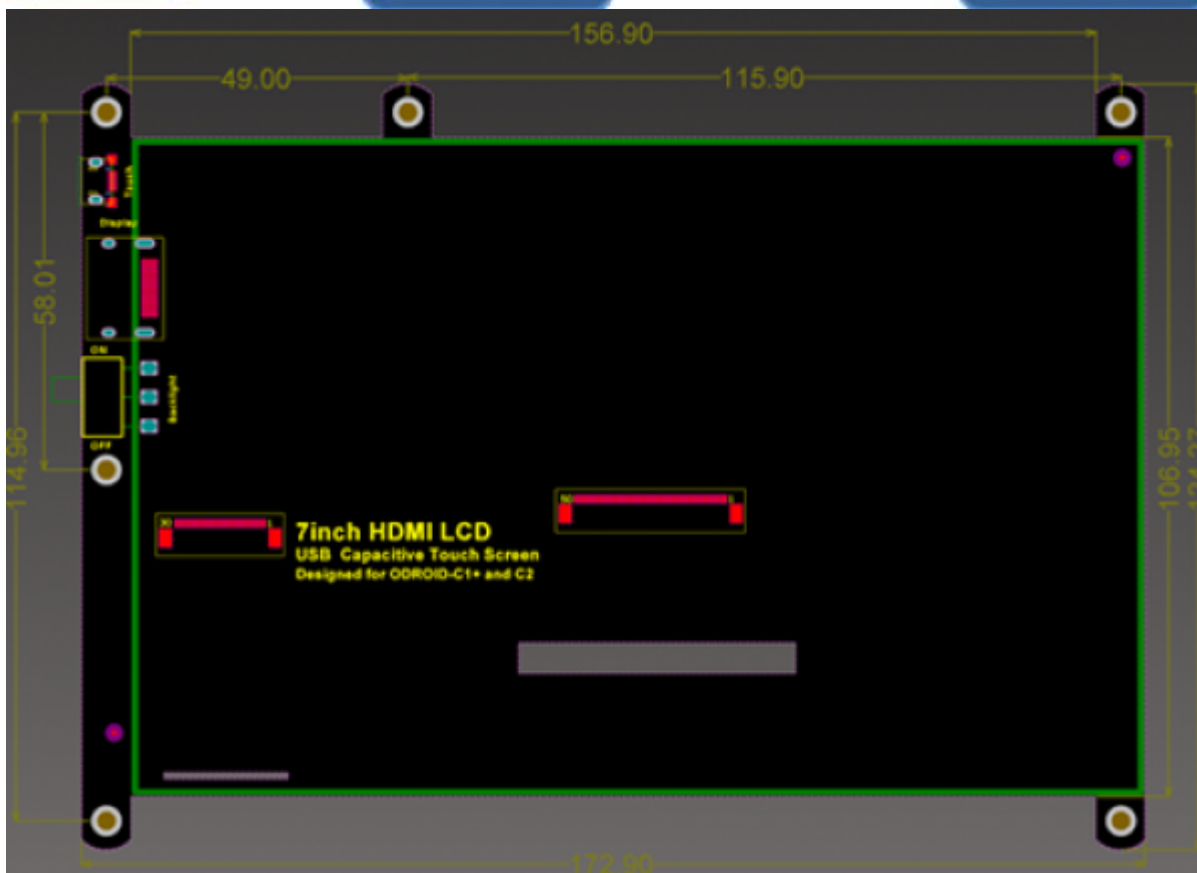
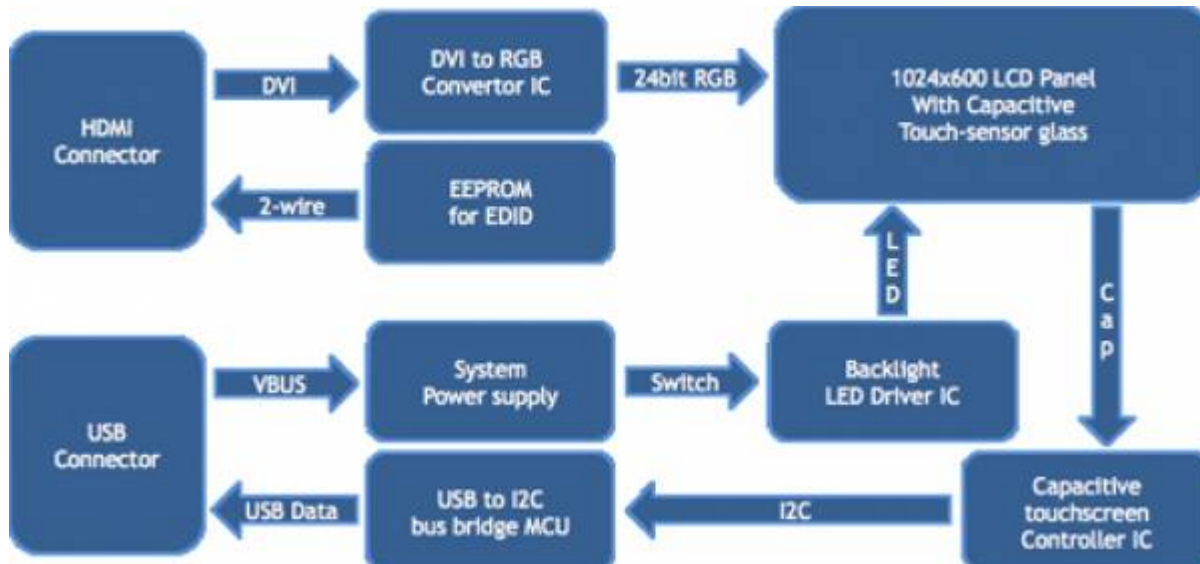
# ODROID-VU-7 Plus



## Specifications

- 7-inch TFT-LCD
- Screen Resolution: **1024 x 600 pixels**
- 5 finger capacitive touch input (USB ID **16B4:0705**)
- Power consumption : 700mA/5Volt
- Backlight on/off slide switch
- Wide Viewing angle (in degree) : Left 75, Right 75, Up 75, Down 75
- Screen Dimensions : 172.9 x 124.3 x 15 mm Including switch and connectors)
- Viewable screen size : 153.6 x 86.64 mm (active area)

## Diagram & Physical Dimensions



## Assembly

You can easily attach the C2 / C1+ board onto the backside of the LCD screen in order to create a fully integrated system.

It also works with the original C1 board if you use a micro-HDMI cable and a micro-USB cable.

### Option 1



### Option 2



## Software Setting

### Ubuntu

## ODROID-XU4

To use the VU7 Plus on XU4 Linux system, you must update the kernel **3.10.92-63 or higher**.



target

```
sudo apt update && sudo apt dist-upgrade
```



Also, don't forget to configure the boot.ini file like this for 1024x600 resolution and DVI output mode:

Configuration for XU4 (Edit boot.ini file)

```
# --- Screen Configuration for HDMI --- #
# -----
# 1024x600 without monitor data using generic information
setenv videoconfig "drm_kms_helper.edid_firmware=edid/1024x600.bin"
# -----

# --- HDMI / DVI Mode Selection ---
# -----
# - HDMI Mode
# setenv vout "hdmi"
# - DVI Mode (disables sound over HDMI as per DVI compat)
setenv vout "dvi"
```

## ODROID-C1/C1+/C0

To use the VU7 plus on C1+ Linux system, the Kernel version must be **3.10.80-128 or higher**.



target

```
sudo apt update & sudo apt dist-upgrade
```

Also, don't forget to configure the boot.ini file for 1024x600 resolution and DVI output mode as following.

```
# Comment default mode 1080p and uncomment 1024x600p60hz
# setenv m "1080p" # 1080P@60Hz
setenv m "1024x600p60hz" # 1024x600

# HDMI DVI/VGA modes
# By default its set to HDMI, if needed change below.
# Uncomment only a single Line.
setenv vout_mode "dvi"
```

## ODROID-C2

In case of ODROID-C2, display auto detection mode can adjust hdmi resolution and dvi option by default.

So you don't need to edit boot.ini.

```
# Auto Detection of Monitor settings based on your Screen information
# See: http://odroid.com/dokuwiki/doku.php?id=en:c2_auto_detect_display
setenv display_autodetect "true"
```

But if you want to use a manual mode, please refer to the following.

```
# Auto detection
setenv display_autodetect "false"

# Resolutions
# setenv m "1080p" # 1080P@60Hz
setenv m "1024x600p60hz"

# HDMI DVI/VGA modes
# By default its set to HDMI, if needed change below.
# Uncomment only a single Line.
setenv vout "dvi"
```

## ODROID-N2

In case of ODROID-N2, display auto detection mode can adjust hdmi resolution and dvi option by default.

So you don't need to edit boot.ini.

```
# Auto Detection of Monitor settings based on your Screen information
setenv display_autodetect "true"
```

But if you want to use a manual mode, please refer to the following.

```
### Change display_autodetect to "false"
# Auto Detection of Monitor settings based on your Screen information
setenv display_autodetect "false"

### Set hdmimode to 1024x600p60hz
# setenv hdmimode "1080p60hz"
setenv hdmimode "1024x600p60hz"

### Change voutmode to "dvi"
# setenv voutmode "hdmi"
setenv voutmode "dvi"
```

## Android

To use ODROID-VU7 Plus on Android, you have to change resolution of Android to **1024x600p60hz**. Basically, you can change the resolution by **ODROID Utility** Apps. In ODROID Utility, you can find **ODROID-VU7 Plus** Options from resolution list.

But we also provide manual changing methods.

### Manual Method

1. On the ODROID, edit boot.ini file.

- /storage/internal/boot.ini

If v4.0 or later

- /internal/boot.ini

target

```
$ su
$ cd <path to boot.ini>
$ vi boot.ini
```

2. Change resolution Value to **1024x600p60hz** and vout\_mode to **dvi**.

## ODROID-C1+



This Guide is tested on the [V3.7](#).

- [hdmimode value point](#)
- [vout\\_mode value point](#)

## ODROID-C2



This Guide is tested on the [V3.3](#).

- [hdmimode value point](#)

- [vout\\_mode value point](#)

```
.  
. .  
setenv hdmimode "1024x600p60hz"  
. .  
setenv vout_mode "dvi"  
. .
```

## ODROID-XU4



This Guide is tested on the [V5.1](#).



On ODROID-XU4 Android, you doesn't need to edit the vout\_mode value.

- [Resolution value point](#)

```
.  
. .  
setenv fb_x_res "1024"  
setenv fb_y_res "600"  
setenv hdmi_phy_res "1024x600p60hz"  
. . .
```

## ODROID-N2/C4

In case of ODROID-N2, display auto detection mode can adjust hdmi resolution and vout mode by default.

So you don't need to edit boot.ini

```
# Display Auto Detection  
# "false" or "true"  
setenv display_autodetect "true"
```

If it doesn't work normally, please try manual mode.

- [hdmimode value point](#)
- [vout\\_mode value point](#)

```
setenv hdmimode "1024x600p60hz"  
setenv voutmode "dvi"  
setenv display_autodetect "false"  
  
# HPD enable/disable option  
# disablehpd="true"
```

If you want to use VU series with OTG port, add otg\_host\_mode at overlay in env.ini.  
Be careful!! It makes your PC broken with connecting PC directly.

```
# overlays="i2c0 i2c1 spi0 uart0 pcf8563 pwm_ab pwm_ef otg_host_mode"  
# overlays_resize=16384
```



## Boot Splash Guide on ODROID-C2

Please refer to this page for boot logo splash on ODROID-C2.

- [workaround for logo splash with VU7+](#)

From:  
<https://wiki.odroid.com/> - **ODROID Wiki**

Permanent link:  
[https://wiki.odroid.com/accessory/display/vu\\_series/vu7\\_plus/vu7\\_plus](https://wiki.odroid.com/accessory/display/vu_series/vu7_plus/vu7_plus)

Last update: **2021/06/29 10:36**





