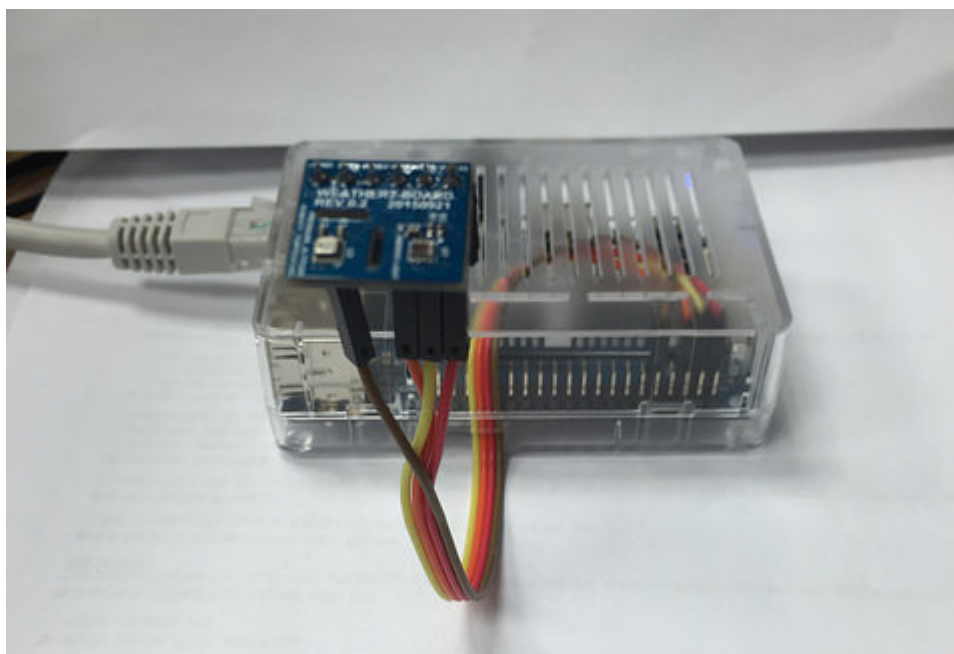
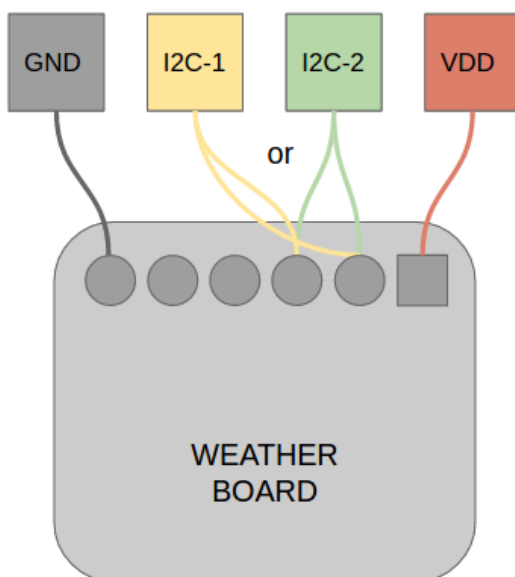


WEATHER-BOARD on ODROID-C1/C1+/C2



39	37	35	33	31	29	SDA	25	23	21	19	17	15	13	11	9	7	SCL	SDA	1
40	38	36	34	32	30	SCL	26	24	22	20	18	16	14	12	10	8	6	4	2



I2CA (/dev/i2c-1)

Pin Number	Net Name	Export Number	
		C0/C1/C1+	C2
3	I2CA.SDA	74	205
5	I2CA.SCL	75	206

I2CB (/dev/i2c-2)

Pin Number	Net Name	Export Number	
		C0/C1/C1+	C2
27	I2CB.SDA	76	207
28	I2CB.SCL	77	208

Settings I2C



This guide is tested on Ubuntu 16.04(kernel C1-3.10.104, C2-3.14.79).

Add I2C module

target

```
$ sudo modprobe aml_i2c
$ ls /dev/i2c-*
```

To always load the kernel module on boot up, run the following command.

target

```
$ echo "aml_i2c" | sudo tee -a /etc/modules
```

Download & Run

target

```
$ git clone https://github.com/hardkernel/WEATHER-BOARD.git
$ cd WEATHER-BOARD/c_weather
$ make
```

Check your I2C node, and run the program.

target

```
$ sudo ./weather_board
```

or

target

```
$ sudo ./weather_board /dev/i2c-2
```

```
odroid@odroid: ~/WEATHER-BOARD/c_weather
===== si1132 =====
UV_index : 0.04
Visible : 514 Lux
IR : 172 Lux
===== bme280 =====      WEATHER-BOARD v1.6
temperature : 35.42 'C
humidity : 33.05 %
pressure : 1002.51 hPa
altitude : 180.615021 m
█
```

From:
<https://wiki.odroid.com/> - **ODROID Wiki**

Permanent link:
https://wiki.odroid.com/accessory/sensor/weather-board/example/c1_c2

Last update: **2020/04/02 14:44**

