

[odroid-c1](#)

# ODROID-C1

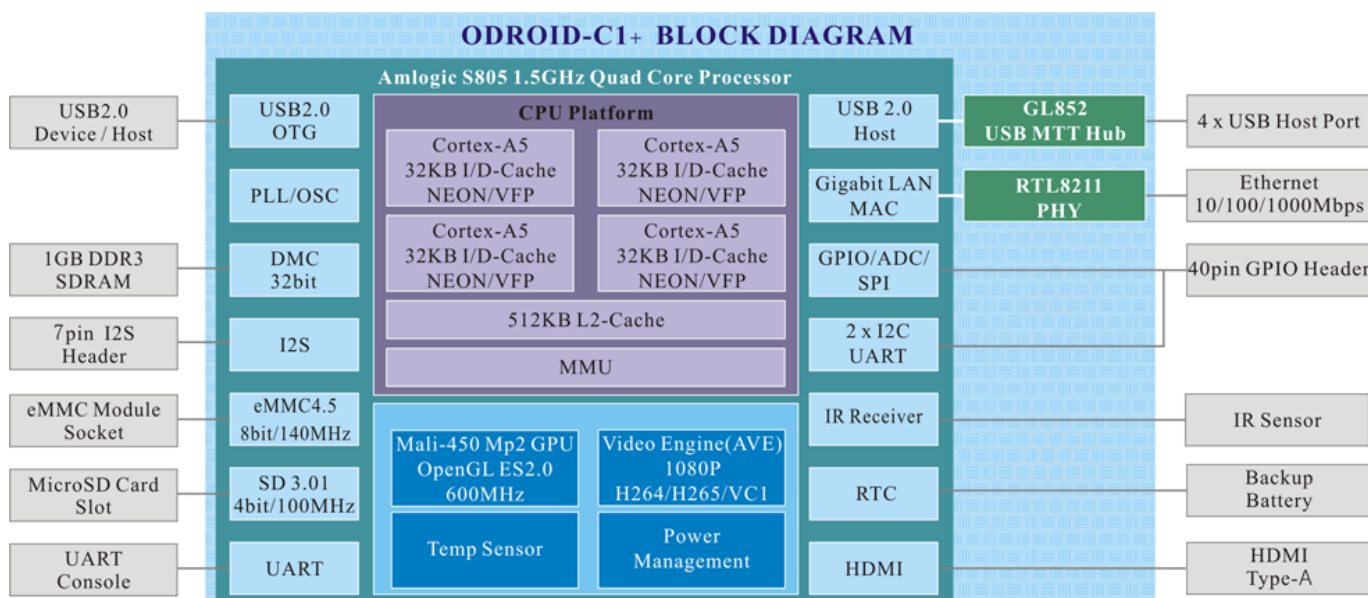
## Introduction

The ODROID-C1/C1+/C0 is esteemed to be the most powerful low-cost single board computer available, as well as being an extremely versatile device. Featuring a quad-core Amlogic processor, advanced Mali GPU, and Gigabit Ethernet, it can function as a home theater set-top box, a general purpose computer for web browsing, gaming and socializing, a compact tool for college or office work, a prototyping device for hardware tinkering, a controller for home automation, a workstation for software development, and much more.

Some of the modern operating systems that run on the ODROID-C1/C1+/C0 are Ubuntu, Android, Fedora, ARCHLinux, Debian, and [OpenELEC](#), with thousands of free open-source software packages available. The ODROID-C1/C1+/C0 is an ARM device - the most widely used architecture for mobile devices and embedded 32-bit computing. The ARM processor's Small size, reduced complexity and low power consumption makes it very suitable for miniaturized devices such as wearables and embedded controllers.

It can run Ubuntu, Android 4.4\*, and other Linux OS distributions.

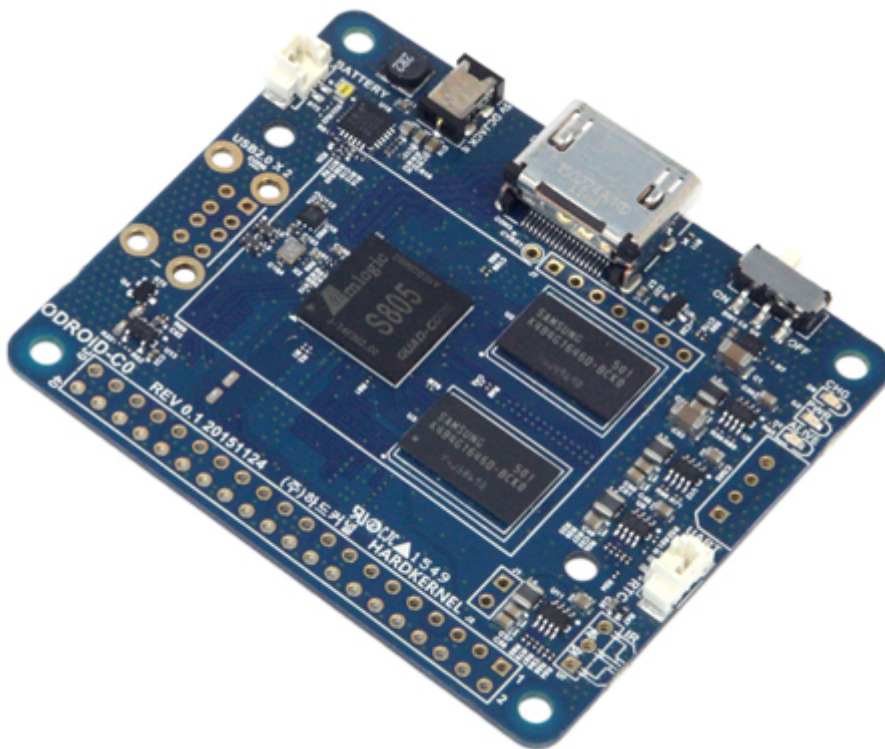
**Download USER MANUAL for your ODROID-C1 Journey Begins. [C1 User Manual](#)**



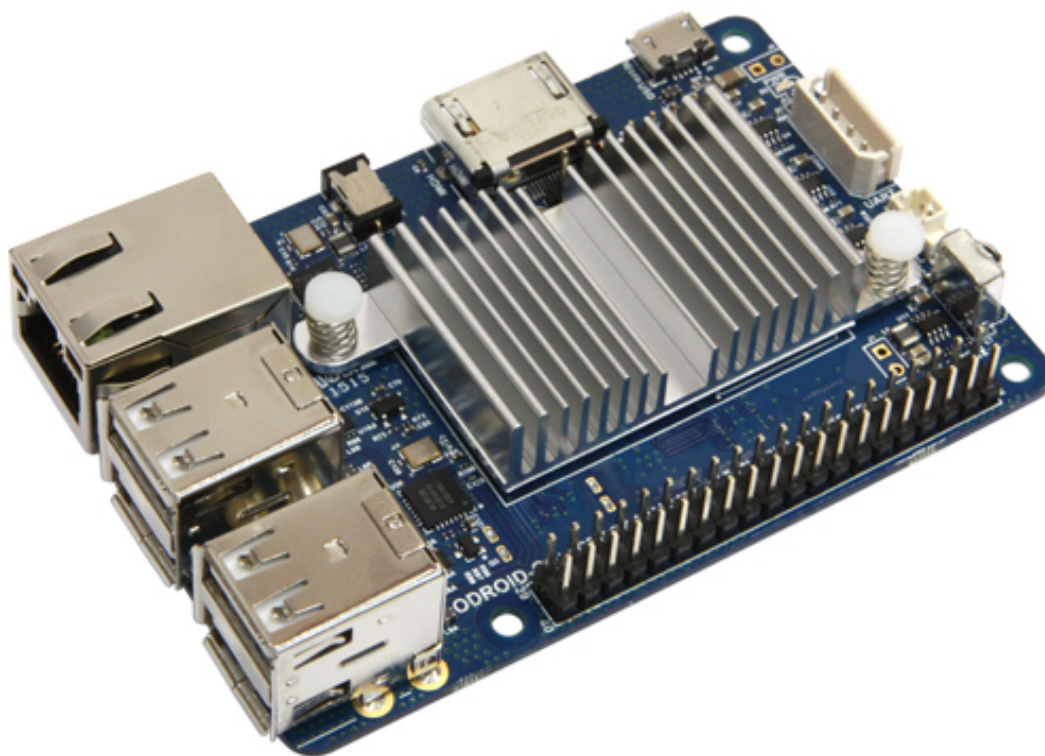
ODROID-C1 targets to be a cheap, small and flexible enough computer for daily life. Built with ARM Cortex-A5 Quad-core CPU and Mali450MP2 GPU, and open source software, ODROID-C1 can serve as a platform to make lots of applications for different purposes.

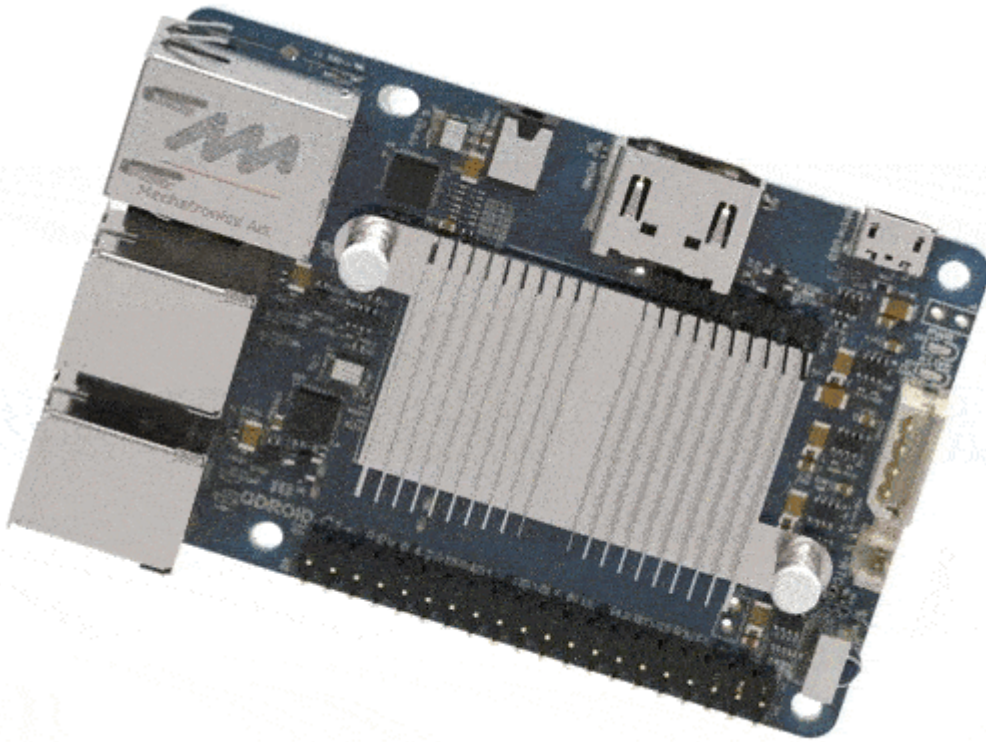
# Board Images

## ODROID-C0

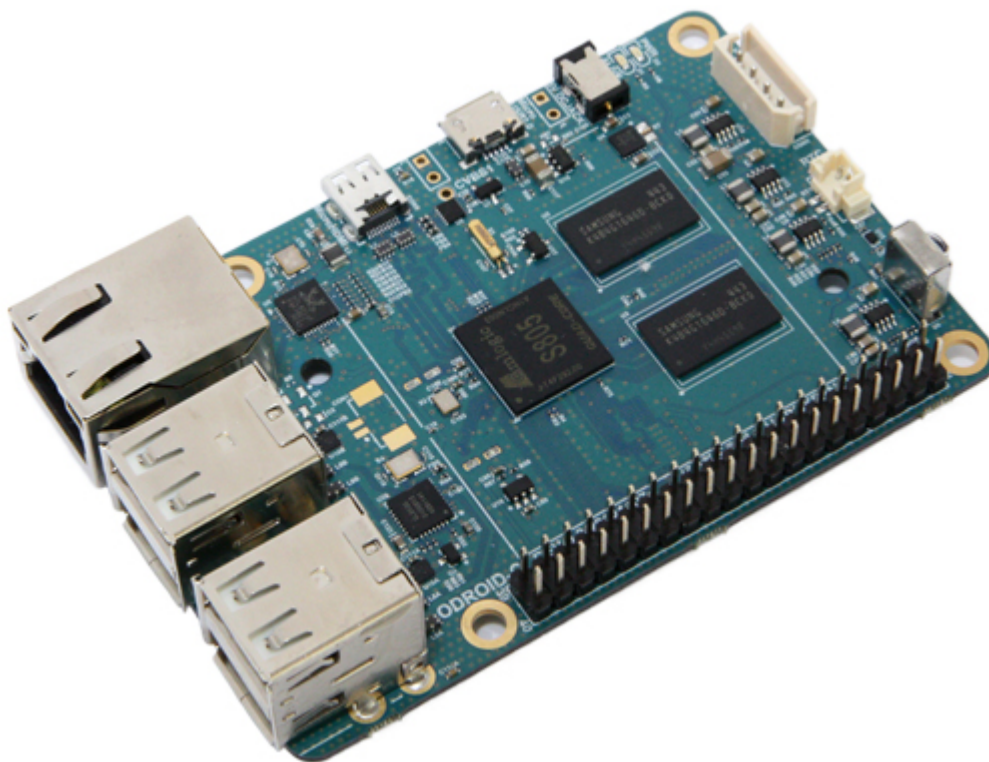


## ODROID-C1+





## ODROID-C1



## Beginner's Guide

- Coming soon.

## Application Note

### Application Note

- [Examples for use](#)

## Hardware and Peripherals

- [Hardware Information](#)

## Software Platform

### Information

- [Partition Table](#)

### Build

- [U-boot](#)
- [Kernel](#)
- [Android](#)

## Software(OS) Release

Please read **\*\*THIS\*\*** once before you start to download and flashing S/W release on your ODROID device.

- [Android](#)
- [Linux Ubuntu](#)
- [Third Party OS Images](#)

## Trouble Shooting

- [General FAQ](#)



## Expansion IO and Accessories

- [VU Series \(VU5, VU7, VU7 Plus, VU8C\)](#)
- [C-Tinkering Kit](#)
- [3.2inch TFT+Touchscreen Shield](#)
- [3.5inch TFT+Touchscreen Shield](#)
- [16x2 LCD IO shield](#)
- [Weather-Board with IO shield](#)
- [SPI Dot-Matrix](#)
- [HiFi Shield](#) (If your kernel is older than **kernel 3.10.95**, Go to here [hifi\\_shield](#))
- [USB GPS Receiver](#)
- C1 Compatible 3rd party add-on boards [Link to the Forum](#)

From:  
<http://wiki.odroid.com/> - **ODROID Wiki**

Permanent link:  
<http://wiki.odroid.com/odroid-c1/odroid-c1>

Last update: **2021/04/28 04:10**

