

[c2](#)

ODROID-C2

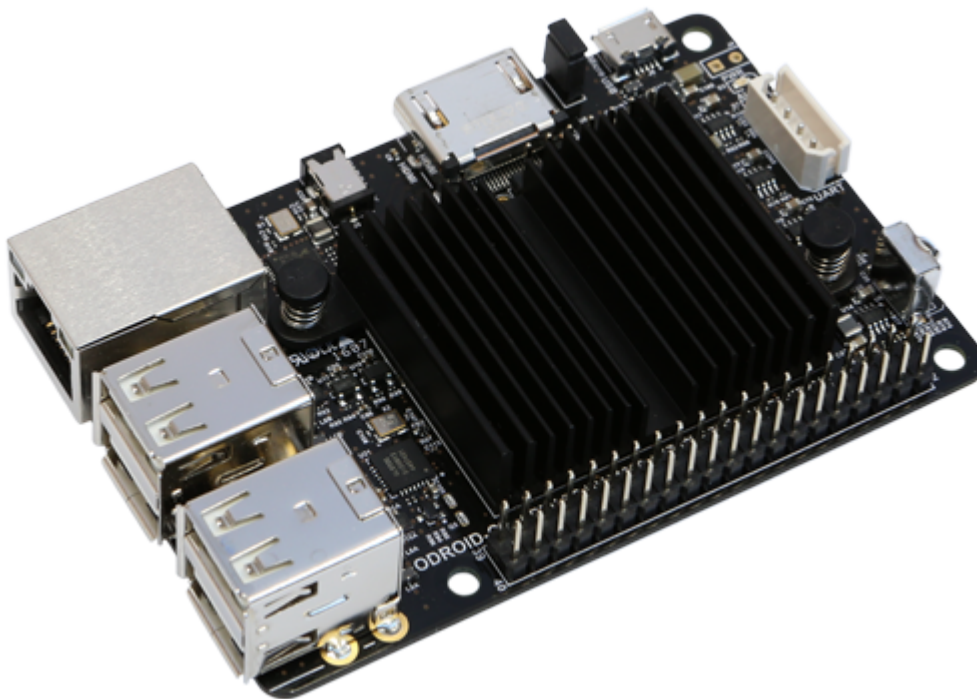
Introduction

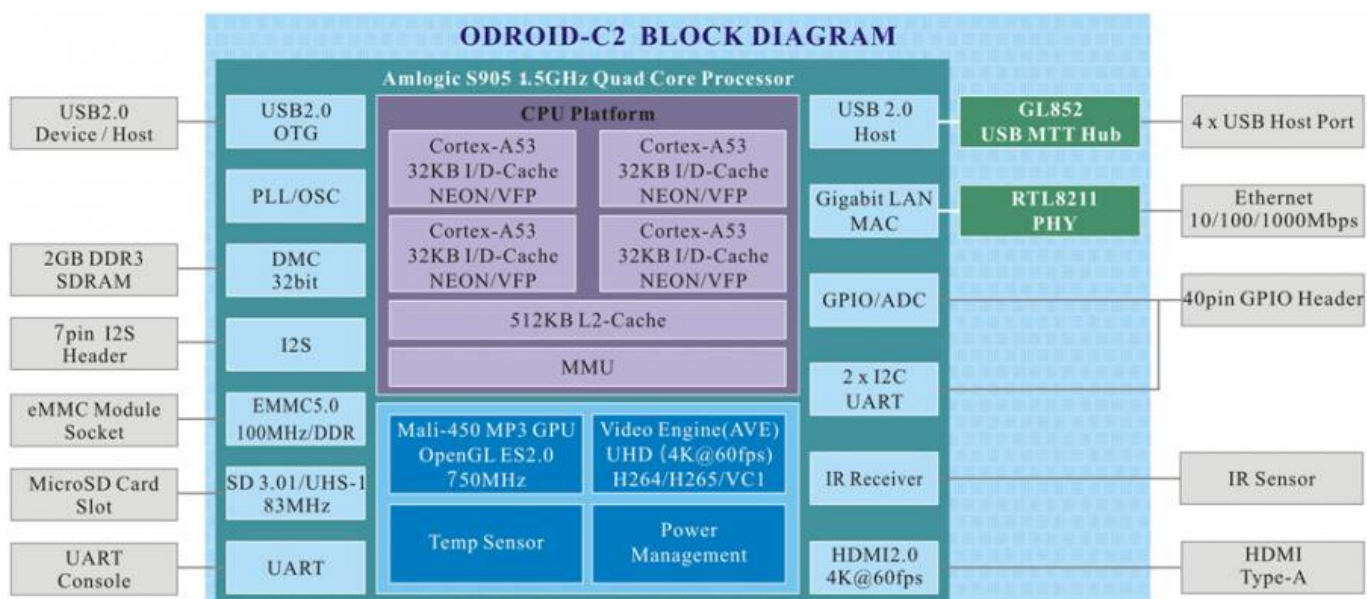
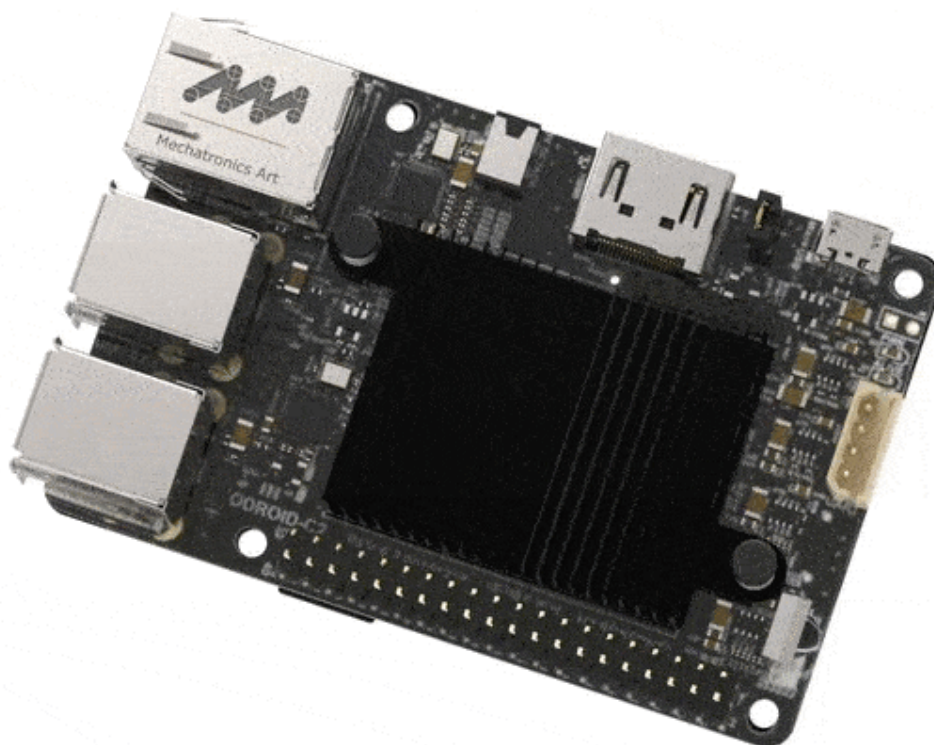
The ODROID-C2 is esteemed to be the most powerful low-cost single board computer available, as well as being an extremely versatile device. Featuring a quad-core Amlogic processor, advanced Mali GPU, and Gigabit Ethernet, it can function as a home theater set-top box, a general purpose computer for web browsing, gaming and socializing, a compact tool for college or office work, a prototyping device for hardware tinkering, a controller for home automation, a workstation for software development, and much more.

Some of the modern operating systems that run on the ODROID-C2 are Ubuntu, Android, Fedora, ARCHLinux, Debian, and [OpenELEC](#), with thousands of free open-source software packages available. The ODROID-C2 is an ARM device – the most widely used architecture for mobile devices and embedded 64-bit computing. The ARM processor's small size, reduced complexity and low power consumption makes it very suitable for miniaturized devices such as wearables and embedded controllers.

It can run Ubuntu, Android 5.1*, and other Linux OS distributions.

Download USER MANUAL for your ODROID-C2 [C2 User Manual](#)





ODROID-C2 targets to be an affordable, small and flexible computer for daily life. Built with ARM 64bit Cortex-A53 Quad-core CPU and Mali450MP3 GPUs, and open source software, ODROID-C2 can serve as a platform to make lots of applications for different purposes.

Beginner's Guide

- Install the OS, Google Play and etc.... and **Getting Started!**

Application Note

Application Note

- Examples for use

Hardware and Peripherals

Hardware Information

Software Platform

Information

- [Partition Table](#)
- [How to use ADB & Fastboot command](#)

Build

- [U-boot](#)
- [Kernel](#)
- [Build Real Time Preemptive Kernel](#)
- [Android](#)

Software(OS) Release

Please read ****THIS**** once before you start to download and flashing S/W release on your ODROID device.

- [Android](#)
- [Linux Ubuntu](#)
- [Third Party OS Images](#)

Trouble Shooting

Trouble Shooting

- How to solve common problems.

- [General FAQ](#)

Expansion Boards and Accessories

- [C-Tinkering Kit with/without WiringPi & Python](#)
- [16x2 LCD IO shield on ODROID-C2](#)
- [C-3.5inch TFT+Touchscreen Shield](#)
- [Weather-Board with IO shield](#)
- [SPI Dot-Matrix with GPIO based SPI-master](#)
- [USB GPS Receiver](#)
- [I2S HiFi Shield](#)
- [Stereo Boom Bonnet](#)
- [PCF8563 RTC Module](#)
- [Rootless GPIO access: /dev/gpiomem](#)
- [oCam](#)
- [VU Series \(VU5, VU7, VU7 Plus, VU8C\)](#)

From:

<http://wiki.odroid.com/> - **ODROID Wiki**

Permanent link:

<http://wiki.odroid.com/odroid-c2/odroid-c2>

Last update: **2019/07/16 07:54**

