

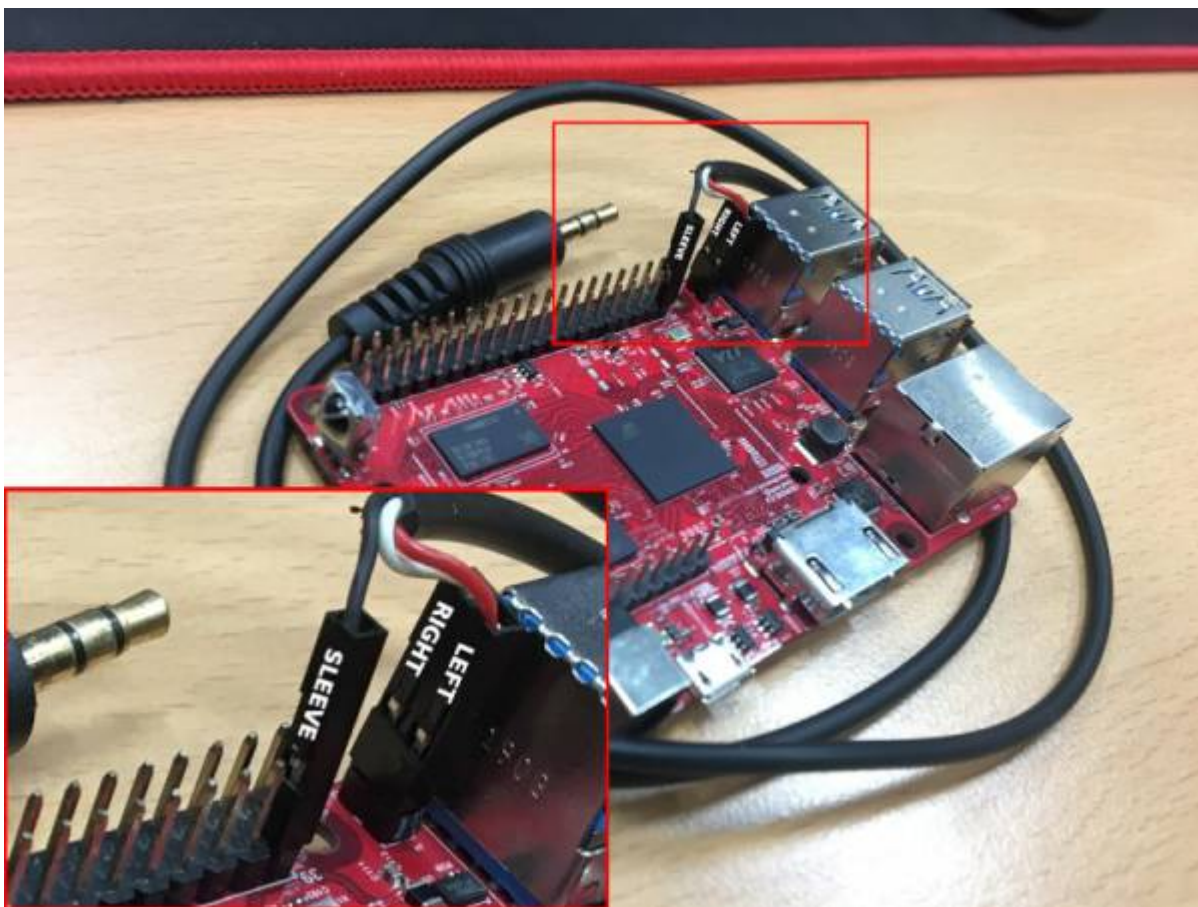
# Lineout Audio (J4)

This functionality is available on Ubuntu.

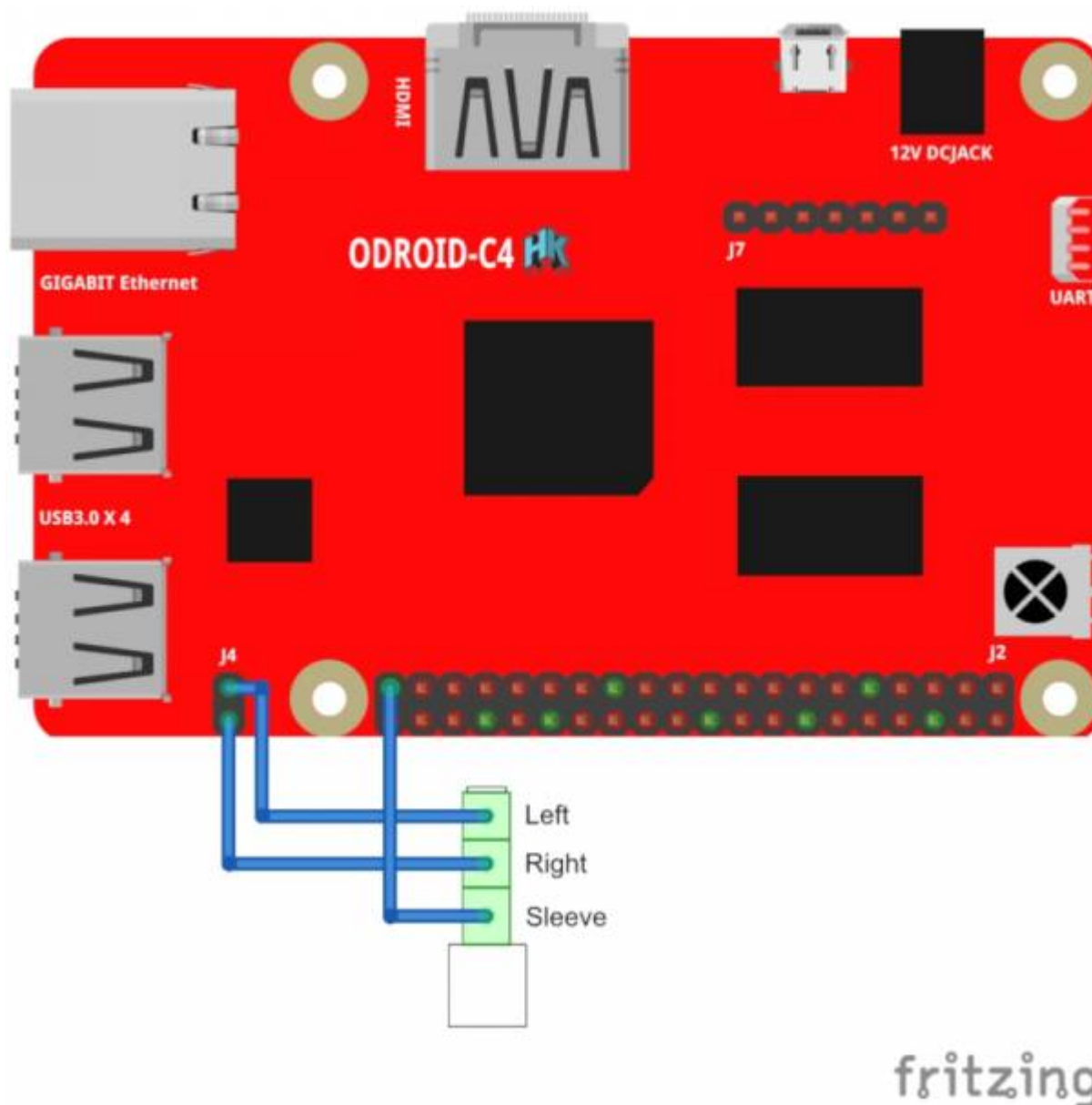


- Linux kernel version should be 4.9.230-35 (Aug 27, 2020) or higher.
- The Linux kernel must support Device Tree overlays. That has been supported since linux 4.9.230-35.

## Hardware connection



## Connection Diagram



## Enable line-out device tree overlay

When the hardware is ready, you need to enable the device tree by editing the config.ini file. Check the link below for the description of Device Tree Overlay in ODROID-C4.

[Device Tree Overlay](#)

### Edit config.ini file

This is the DTBO part of the config.ini file of Odroid-C4.

```
; Device Tree Overlay  
overlay_resize=16384  
overlay_profile=  
overlays="spi0 i2c0 i2c1 uart0"
```

```
[overlay_custom]
overlays="i2c0 i2c1"

[overlay_hktft32]
overlays="hktft32"

[overlay_hktft35]
overlays="hktft35"
```

Add a lineout profile and put the profile name (lineout) in the overlay\_profile variable.

```
; Device Tree Overlay
overlay_resize=16384
overlay_profile=lineout
overlays="spi0 i2c0 i2c1 uart0"

[overlay_custom]
overlays="i2c0 i2c1"

[overlay_hktft32]
overlays="hktft32"

[overlay_hktft35]
overlays="hktft35"

[overlay_lineout]
overlays="lineout"
```

Save the config.ini file and reboot.

target

```
root@odroid:~# reboot
```

You can see that the sound card is enabled.

target

```
root@odroid:~# aplay -l
**** List of PLAYBACK Hardware Devices ****
card 0: ODR0IDHDMI [ODR0ID-HDMI], device 0: SPDIF-dit-hifi dit-hifi-0
[]
  Subdevices: 1/1
  Subdevice #0: subdevice #0
card 1: ODR0IDLIN0OUT [ODR0ID-LIN0OUT], device 0: TDM-C-T9015-audio-
hifi T9015-audio-hifi-0 []
  Subdevices: 1/1
  Subdevice #0: subdevice #0
```

*root@odroid:~#*

From:  
<https://wiki.odroid.com/> - **ODROID Wiki**

Permanent link:  
[https://wiki.odroid.com/odroid-c4/application\\_note/external\\_connector/lineout](https://wiki.odroid.com/odroid-c4/application_note/external_connector/lineout)

Last update: **2020/09/07 12:20**

