

## The external power switch

You can turn on or off the ODROID-H2 with the external power switch instead of the onboard switch (PWR\_ON1).

The power pin (PWR\_BTN) is exposed to the pin #17 on the pin header (EXT\_HEAD1) and this pin needs to be shorted to GND momentary.

Please note you can wire up the momentary on-off switch only, otherwise, the ODROID-H2 will keep turning on and off.

There is a small power switch on the ODROID-H2 board. But it is not easy to access the switch when you assemble(place?) the board in to a case.

This beautifully illuminated power button is a good solution what you need!

This button can be mounted on the official acrylic case Type-1, Type-2, Type-3 and Type-4.

Note that the blue LED forward voltage must not exceed 3.5Volt.

Red wire: LED positive (Anode) : pin-4 or pin-7 or pin-14 on 20 pin header of ODROID-H2

Black wire: LED negative (Cathode) : GND(pin-1) on 20 pin header of ODROID-H2

Green wire : Switch-A : #PWR\_BTN(pin-17) in 20 pin header of ODROID-H2

Blue wire : Switch-B: GND(pin-19) on 20 pin header of ODROID-H2

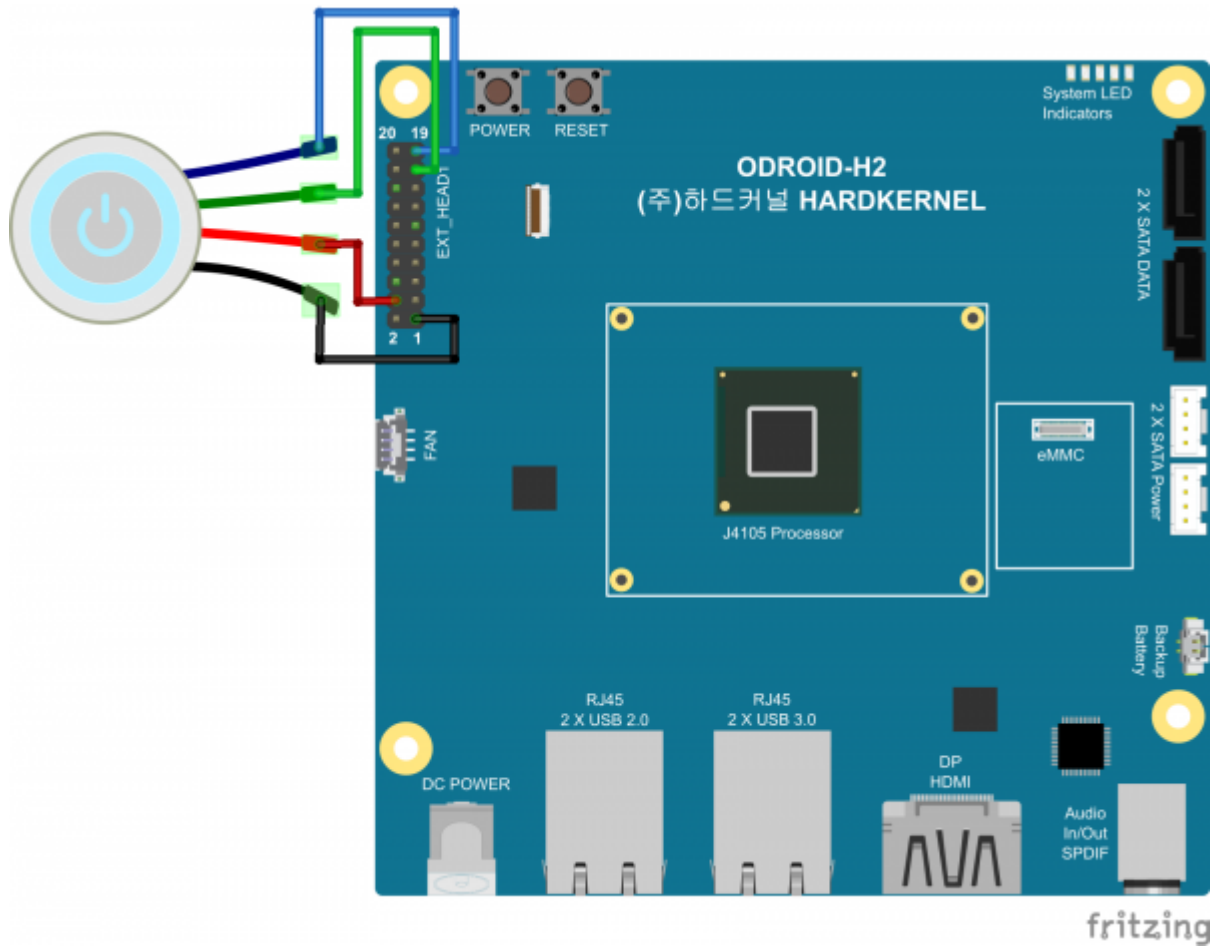
This blue illuminated power button has a built-in LED which turns on when the system power is on.

Since the pinout #4 supplies "+3.3V" when the ODROID-H2 is turned on, you can wire up the VCC on the switch to this pin.

If you need to use "+3.3V" for another device, you also can use UART\_RTS# alternatively.



## Install a Power Switch



[Download fritzing](#)

- Illuminated\_powerbtn part

illuminated\_powerbtn.fzpz

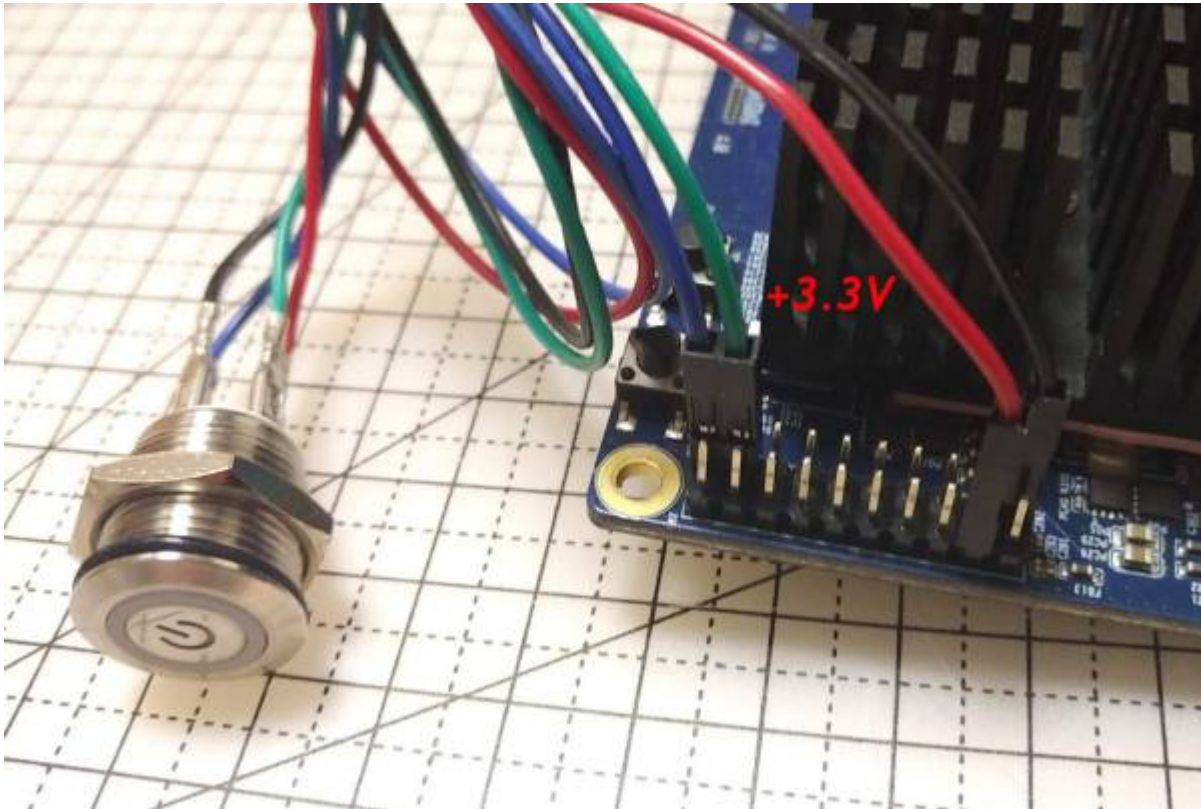
- ODROID-H2 part

odroid-h2.fzpz

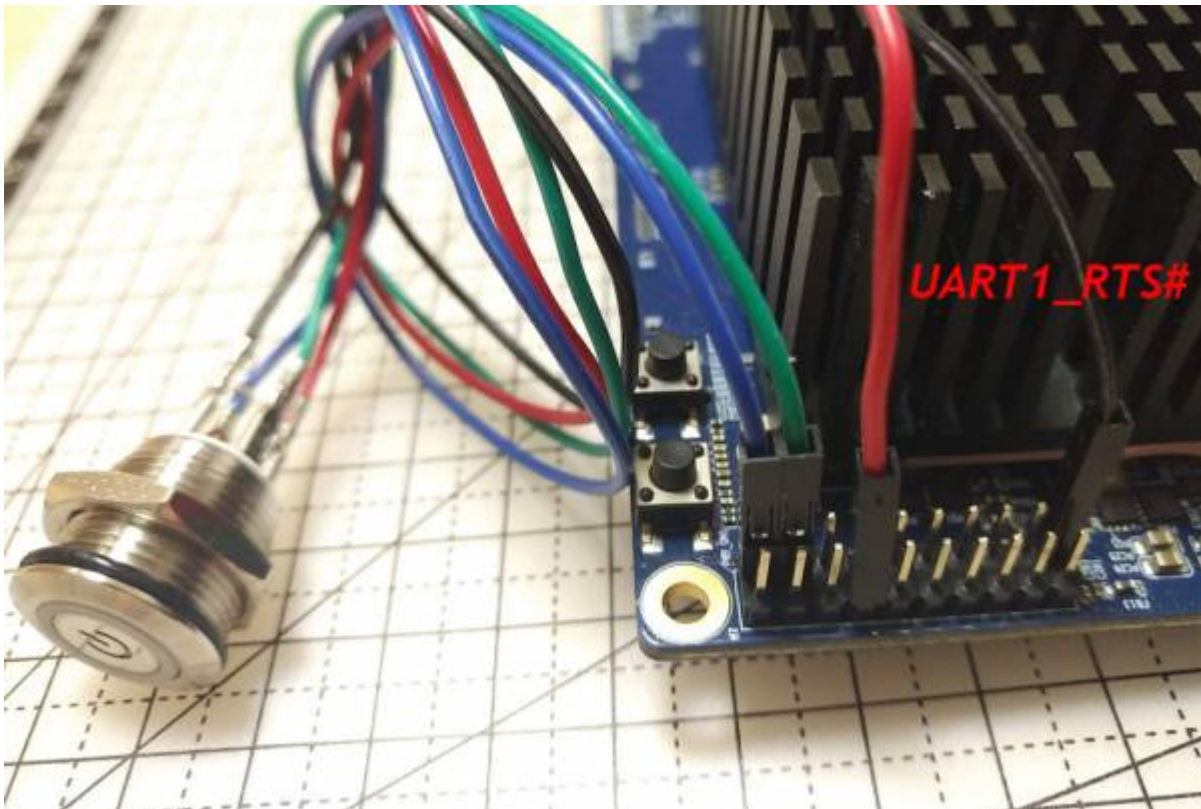
- fritzing parts

illuminated\_powerbtn.fzz

**When connect to +3.3V**

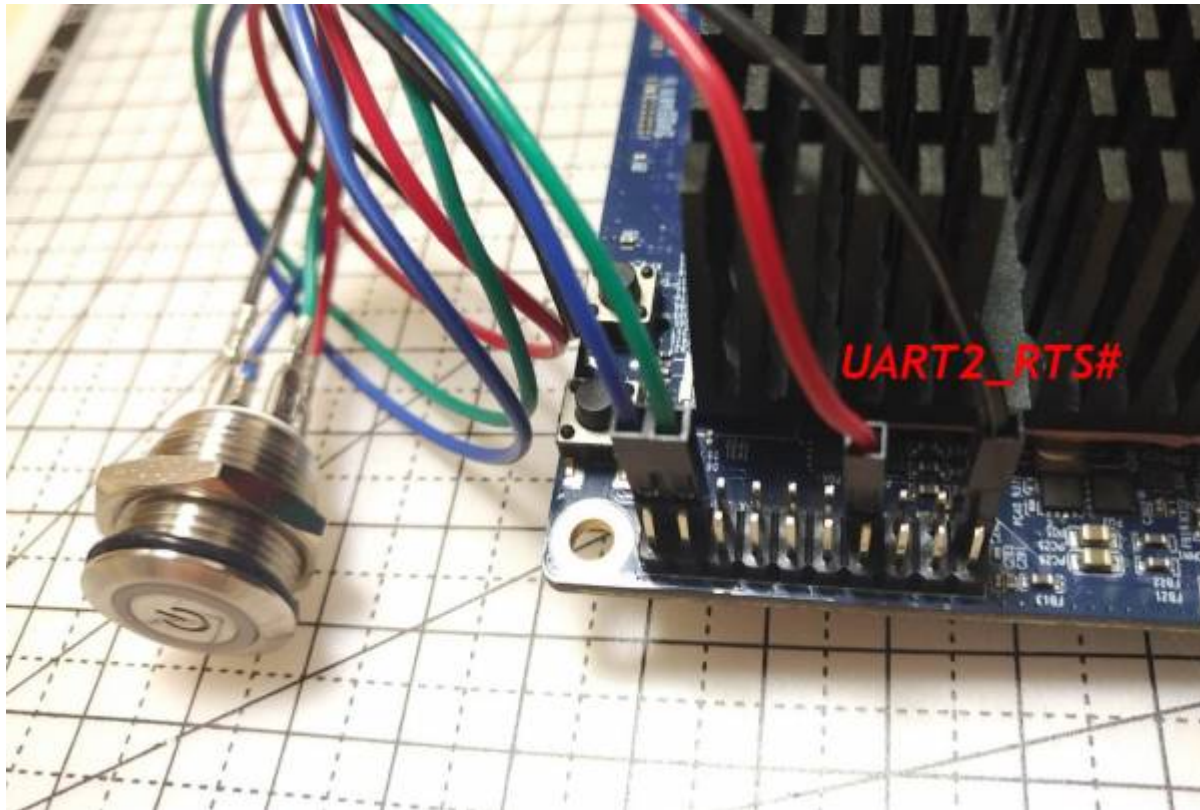


**When connect to UART\_RTS1#**





## When connect to UART\_RTS2#



From:

<http://wiki.odroid.com/> - **ODROID Wiki**

Permanent link:

[http://wiki.odroid.com/odroid-h2/application\\_note/external\\_power\\_switch?rev=1542880352](http://wiki.odroid.com/odroid-h2/application_note/external_power_switch?rev=1542880352)

Last update: **2018/11/22 09:52**

